

Z742 LIGHT-DUTY TRAP DRAIN

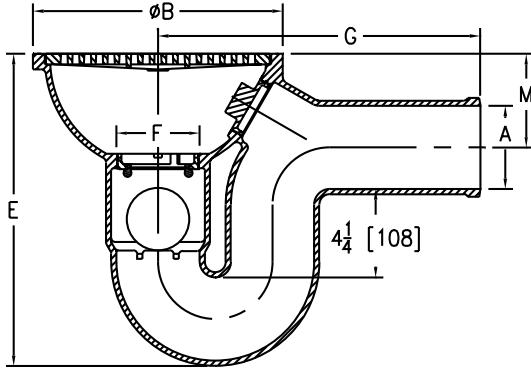


ENGINEERING SPECIFICATION

Zurn Z742 8", 10" or 12" diameter top drain features Dura-Coated cast iron body with integral double wall trap and side outlet, ball float type backwater valve, internal bronze cleanout, and light-duty, loose, slotted grate.

NOTES

*Add 3/16" to 'E' dimension for ZB and ZN



PREFIXES	DESCRIPTION	PIPE SIZE	LIST PRICE
Z742*	D.C.C.I. Body and Top	2"	843.00
		3"	1,161.00
		4"	1,625.00
ZB742	D.C.C.I. Body with Polished Bronze Top	2"	1,215.00
		3"	1,539.00
		4"	2,002.00
ZN742	D.C.C.I. Body with Polished Nickel Bronze Top	2"	1,254.00
		3"	1,577.00
		4"	2,035.00

OUTLETS (SPECIFY PIPE SIZE IN INCHES AND TYPE OF OUTLET)				
OUTLET TYPE		PIPE SIZE/OUTLET TYPE	E BODY HT. DIM.	LIST PRICE
SP	Spigot	2SP	10-3/4"	N/C
		3SP	12-3/4"	N/C
		4SP	15"	N/C

SUFFIXES	ADD	
-G	Galvanized Cast Iron	488.00
-TS	Top Secured with Slotted Screws	129.00
-VP	Vandal-Proof Secured Top	149.00

DEDUCT			
-LV	Less Backwater Valve	2"	-98.00
		3", 4"	-194.00

BEST SELLER	LIST PRICE
Z742-4SP	1,625.00

A Pipe Size	Dimensions in inches [mm]				Grate Open Area sq in [cm ²]	Approximate Weight lb [kg]
	F	B	G	M		
2 [51]	2 [51]	8-1/4 [210]	10-1/8 [203]	3-1/2 [89]	13 [84]	17 [8]
3 [76]	3-1/2 [89]	10-1/2 [267]	12-1/2 [318]	4 [102]	19 [122]	36 [16]
4 [102]		12 [305]	15-1/2 [140]	4-1/2 [114]	40 [258]	54 [24]

Supplied By:



877-903-7246

www.commercialplumbingsupply.com

*Regularly furnished unless otherwise specified.

Items designated as Best Sellers are most specified and are generally in stock for shipment.

⌚ This symbol denotes a product that is engineered to reduce installation and rework time.

For additional product information, please visit www.zurn.com